

A

B

C

D

1

2

3

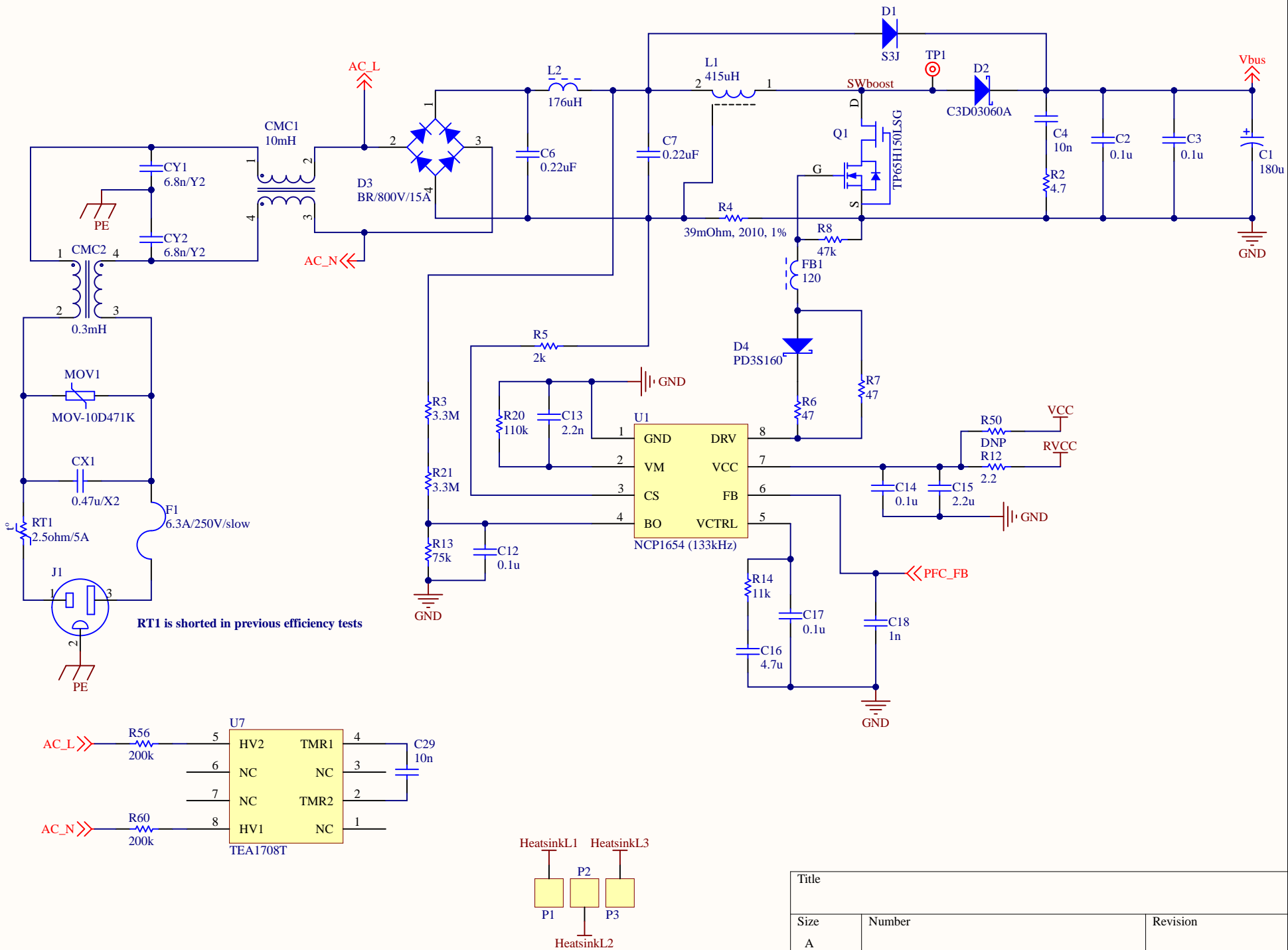
4

A

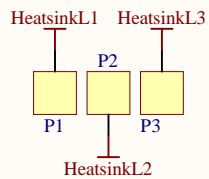
B

C

D



RT1 is shorted in previous efficiency tests



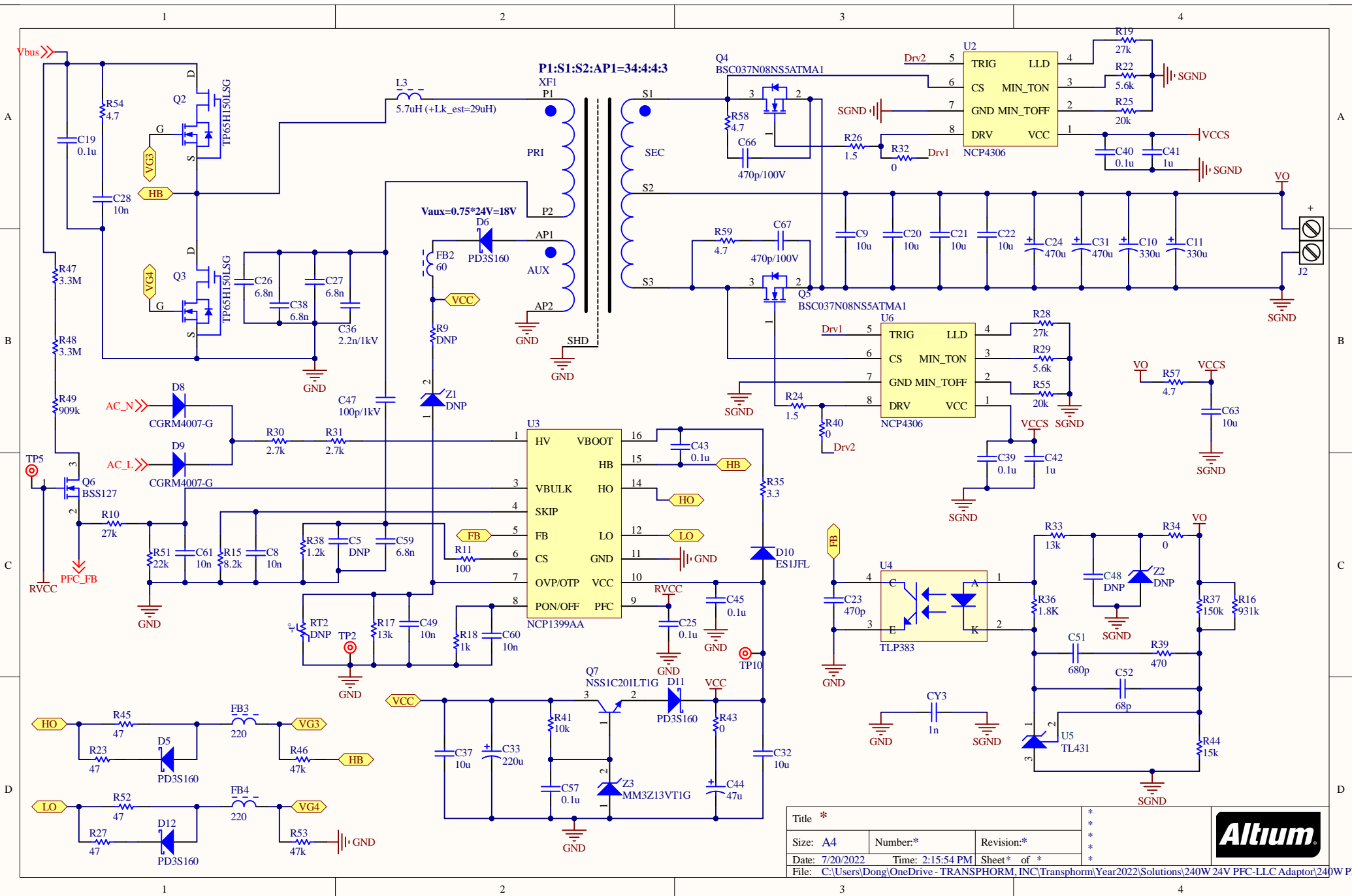
| | | |
|-------|---------------------------------------|-----------|
| Title | | |
| Size | Number | Revision |
| A | | |
| Date: | 7/20/2022 | Sheet of |
| File: | C:\Users\...\CCMBoostPFC_RevC5.SchDoc | Drawn By: |

1

2

3

4



| | | | |
|--|------------------|-------------|---|
| Title * | | | * |
| Size: A4 | Number:* | Revision:* | * |
| Date: 7/20/2022 | Time: 2:15:54 PM | Sheet* of * | * |
| File: C:\Users\Dong\OneDrive - TRANSPHORM, INC\Transphorm\Year2022\Solutions\240W 24V PFC-LLC Adaptor\240W PFC | | | |

